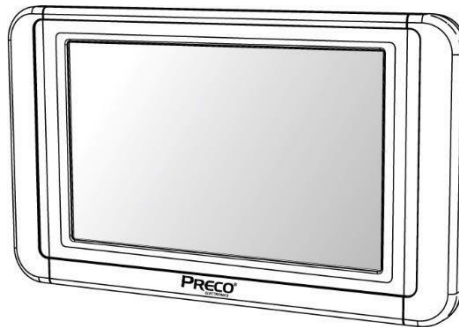




[www.radar-electronics.com](http://www.radar-electronics.com)  
[e-mail:info@radar-electronics.com](mailto:info@radar-electronics.com)

# **TFT LCD Color Monitor PVM500**

**Operating Manual /  
Installation Guide**



# CONTENTS

Product Description.....	1
Features.....	2
Contents.....	2
Functions.....	2
Bracket Installation.....	5
Cable Connection .....	6
Specifications .....	7
Warranty Information .....	8

## Product Description

The Preco Electronics® PVM500 is a light-duty, single camera monitor design for closed cab use. The PVM500 contains one triggered input, allowing the monitor to be switched on when it is required, i.e., while in reverse.

### Safeguard Instructions

Please read the following cautions carefully before using this product. Following these rules prevent users from damages related to the misuse of the product.

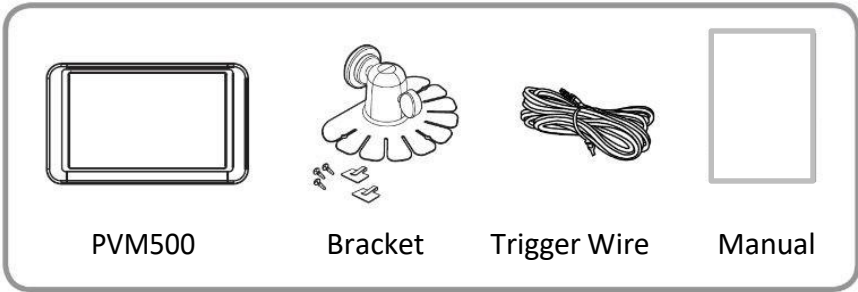
#### Caution:

- Electrical shock or damage to the product may occur if machine power is not turned off during installation.
- Do not install the monitor closer than 6" (15cm) to a heat emitting source.
- Do not clean exterior with solvents as they may damage the product and could potentially cause a fire.
- Do not mount the unit where it would be subjected to extreme vibration or shock.
- Do not place near a magnet as it may cause undesirable performance.
- Do not disassemble unit as it will void the warranty.

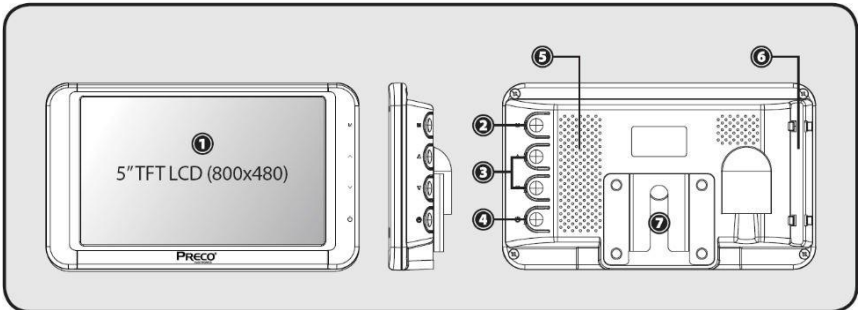
## Features

- High resolution 5" LCD panel
- All functions are displayed on screen (OSD function)
- Menu system displays 6 languages (ENG-DEU-ITA-FRA-ESP-JPN)

## Contents



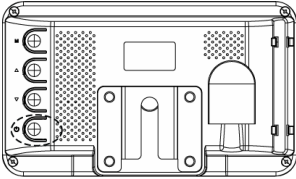
## Functions



1. TFT LCD
2. Menu Button
3. Volume Buttons
4. Power Button - On/Off
5. Speaker - Max 0.5W (Mono)
6. Cable Guide
7. Bracket stand connection

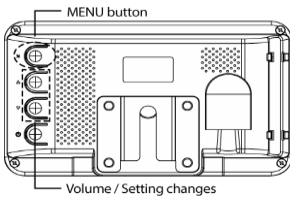
## FUNCTIONS, Continued

### Power ON/OFF



1. POWER ON: push to POWER ON (STAND BY state is OFF)
2. POWER OFF: push again to POWER OFF

### Menu



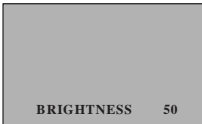
The Menu changes [BRIGHTNESS] - [CONTRAST] - [COLOR] - [TINT] - [DIMMER] - [LANGUAGE] - [CAM] - [RESET]

### [VOLUME]: Volume control



Push  $\Delta$   $\nabla$  button to control volume (0~100)  
[0: Min. volume / 100: Max. volume]

### [BRIGHTNESS]: Adjust Brightness



On Brightness setting mode,  $\Delta$   $\nabla$  buttons control screen brightness. (0~100)  
[0: Dark / 100: bright]

### [CONTRAST]: Adjust Contrast



On Contrast setting mode,  $\Delta$   $\nabla$  buttons control the contrast on the screen. (0~100)  
[0: Min. difference between brightness/darkness  
100: Max. difference between brightness / darkness]

[COLOR]: Density adjusting on screen color



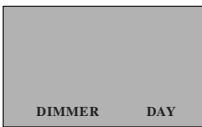
On Color setting mode,  $\Delta$   $\nabla$  buttons control density of the screen color. (0~100)  
[0: Low density / 100: High density]

[TINT]: Screen color adjusting



On Tint setting mode  $\Delta$   $\nabla$  buttons control the screen color. (0~100)

[DIMMER]: Automatic brightness adjusting



On Dimmer setting mode, the menu changes [DAY] - [NIGHT], push  $\Delta$   $\nabla$  buttons to toggle between brightness settings.  
DAY: Makes screen brighter.  
NIGHT: Makes screen darker.

[LANGUAGE]: OSD language choice



On Language setting mode,  $\Delta$   $\nabla$  buttons change OSD language (6 languages)  
[ENG]-[DEU]-[ITA]-[FRA]-[ESP]-[JPN]

[CAM]: Camera Normal/Mirror mode setting



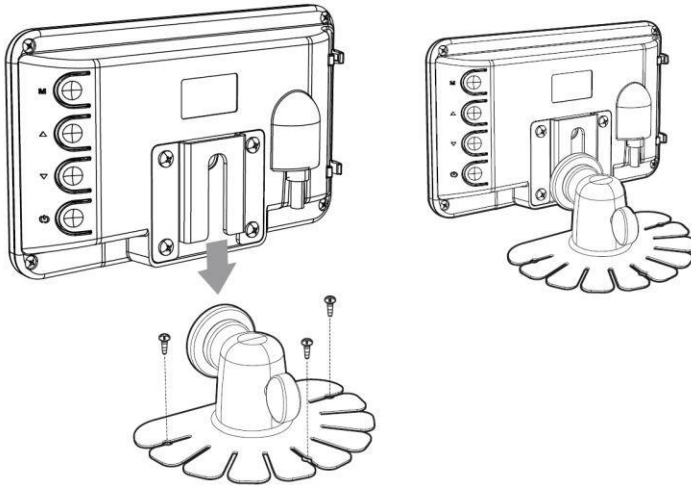
On Camera setting mode,  $\Delta$   $\nabla$  buttons change [Normal] - [Mirror] mode.  
NORMAL: When the camera is not a mirror image.  
MIRROR: Camera image is a mirror state.

[RESET]: Reset (Factory mode)



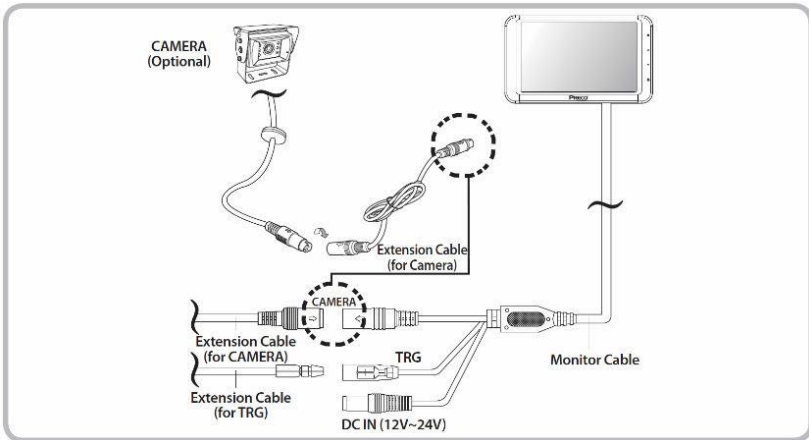
On Reset setting mode, when you push  $\Delta$  button, it resets to initial factory defaults mode.

## Bracket Installation



- Remove protective tape covering from bottom of stand and attach the stand with double stick tape.
- Secure to stand using the 3 enclosed screws.
- Connect monitor and stand.

# Cable Connection



- To avoid a short circuit, disconnect the ground terminal of the vehicle battery prior to installation.
- The arrows on the camera connection must align before fully inserting connectors together.
- Test after installation to insure proper function of both the monitor and camera.



# Specifications

## <LCD Panel>

LCD size	5" (127 mm)
Image ratio	16 : 9
Resolution	800 x3(RGB) x 480
Brightness	500cd
Contrast range	700 : 1
Active area	4.5" (108.0 mm)(W) x 2.55" (64.8 mm)(H)
Viewing angle	70(L) / 70(R) / 50(T) / 70(B)

## <Monitor>

Input System		NTSC/PAL
Input	Video signal	Composite Video (CVBS) 75Ω 1Vp-p
	Audio signal	MONO
Power	Operating voltage	DC 12V - 24V
	Current consumption	280mA
Speaker		Max. 0.5W
OSD Display language		6 Languages
Operating Temperature		-22F (-30 °C) ~ 158F (70 °C)
Storage temperature		-40F (-40 °C) ~ 176F (80 °C)
Dimension		5.5" (140 mm)(W) x 3.27" (83 mm) (H) x 0.79" (20 mm)(D)
Weight		8.6 ounces (244g) (monitor only)

Design and specifications are subject to change without notice

# Warranty Information

## MANUFACTURER LIMITED WARRANTY AND LIMITATION OF LIABILITY

Manufacturer warrants that on the Date of Purchase this Product will conform to Manufacturer's published specifications for the product, which are available from Manufacturer on request, and Manufacturer warrants that the product is free from defects in materials and workmanship. This Limited Warranty extends for twelve (12) months from the date of shipment. Manufacturer will, at its option, repair or replace any product found by Manufacturer to be defective and subject to this Limited Warranty.

This Limited Warranty does not apply to parts or products that are misused; abused; modified; damaged by accident, fire or other hazard; improperly installed or operated; or not maintained in accordance with the maintenance procedures set forth in Manufacturer's Installation and Operating Instructions.

To obtain warranty service, you must ship the product(s) to the specified Manufacturer location within thirty (30) days from expiration of the warranty period. To obtain warranty service you must call PRECO Electronics® Customer Service at 866-977-7236 or 208-323-1000, or fax your request to 208-323-1034. Customer Service will issue warranty authorization and further instructions. You must prepay shipping charges and use the original shipping container or equivalent.

**EXCLUSION OF OTHER WARRANTIES:** MANUFACTURER MAKES NO OTHER WARRANTIES, EXPRESSED, IMPLIED OR STATUTORY. THE IMPLIED WARRANTIES FOR MERCHANTABILITY OR FITNESS FOR A PARTICULAR PURPOSE ARE HEREBY EXCLUDED AND SHALL NOT APPLY TO THE PRODUCT. BUYER'S SOLE AND EXCLUSIVE REMEDY IN CONTRACT, TORT OR UNDER ANY OTHER THEORY AGAINST MANUFACTURER RESPECTING THE PRODUCT AND ITS USE SHALL BE THE REPLACEMENT OR REPAIR OF THE PRODUCT AS DESCRIBED ABOVE. **LIMITATION OF LIABILITY:** IN THE EVENT OF LIABILITY FOR DAMAGES ARISING OUT OF THIS LIMITED WARRANTY OR ANY OTHER CLAIM RELATED TO MANUFACTURER'S PRODUCTS, MANUFACTURER'S LIABILITY FOR DAMAGES SHALL BE LIMITED TO THE AMOUNT PAID FOR THE PRODUCT AT THE TIME OF ORIGINAL PURCHASE. IN NO EVENT SHALL MANUFACTURER BE LIABLE FOR LOST PROFITS, THE COST OF SUBSTITUTE EQUIPMENT OR LABOR, PROPERTY DAMAGE, OR OTHER SPECIAL, CONSEQUENTIAL OR INCIDENTAL DAMAGES BASED UPON ANY CLAIM FOR BREACH OF CONTRACT, NEGLIGENCE OR OTHER CLAIM, EVEN IF MANUFACTURER OR A MANUFACTURER'S REPRESENTATIVE HAS BEEN ADVISED OF THE POSSIBILITY OF SUCH DAMAGES.

Manufacturer shall have no further obligation or liability with respect to the product or its sale, operation and use, and Manufacturer neither assumes nor authorizes the assumption of any other obligation or liability in connection with such product.

This Limited Warranty gives you specific legal rights, and you may also have other legal rights which vary from state to state. Some states do not allow the exclusion or limitation of incidental or consequential damages, so the above exclusion or limitation may not apply to you.

Any oral statements or representations about the product which may have been made by salesmen or Manufacturer representatives do not constitute warranties. This Limited Warranty may not be amended, modified or enlarged, except by a written agreement signed by an authorized official of Manufacturer which expressly refers to this Limited Warranty.



[www.radar-electronics.com](http://www.radar-electronics.com)  
[e-mail.:info@radar-electronics.com](mailto:info@radar-electronics.com)  
[tel.. 00386 3 4900 800](tel:0038634900800)

