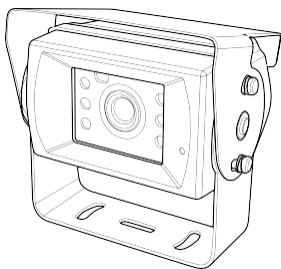


# INSTRUCTION MANUAL

Thank you for your purchase.  
Please read this manual thoroughly for  
proper use and application.

## PVC700

PreView® Heavy-Duty Cam



[www.radar-electronics.com](http://www.radar-electronics.com)  
e-mail: [info@radar-electronics.com](mailto:info@radar-electronics.com)

ver. 1.0 PRINTED IN KOREA

## FEATURES

- 1/3" 960H color CCD image sensor
- 6 IR LEDs for low light performance
- Built-in mic.
- Waterproof IP-67
- Built-in heater
- Aluminum die-cast housing
- Photo sensor

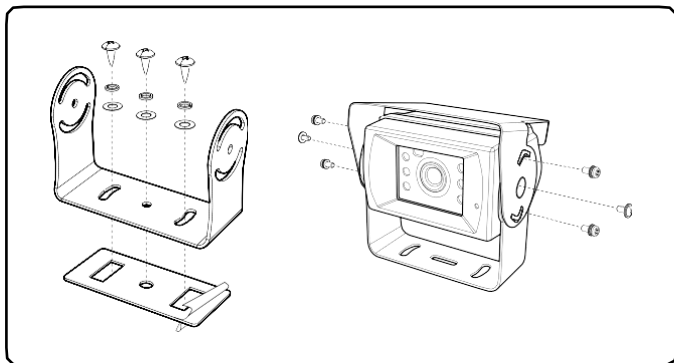
## SPECIFICATIONS

Imagesensor	1/3" 960H COLOR CCD (NTSC/PAL)
Viewing angle	118 (H) / 85 (V) / 145 (D)
Minimum illumination	0.01 lux
Input voltage	DC 12V / 90mA Max.
Operating temperature	-20°C ~ 60°C or -4°F ~ 140°F
Dimensions	70mm(W) x 44mm(H) x 57mm(D) or 2.75"(W) x 1.73"(H) x 2.24"(D)
Weight	400g or 14.11oz (with bracket)
E Mark	10R-033271

Box contents	Camera .....	1EA
	CameraBracket .....	1EA
	Sun Visor .....	1EA
	Accessories Pack (Screws set & Adhesive tape) .....	1SET
	Instruction Manual .....	1EA
	Extension Cable (option).....	1EA

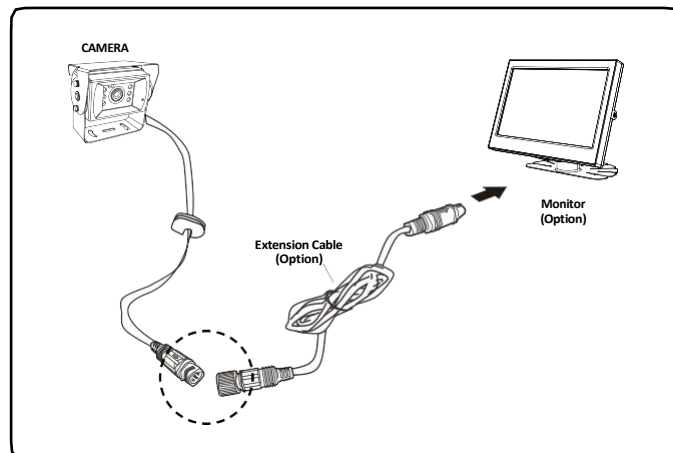
\* Design and specifications are subject to change without notice.

## INSTALLATION



1. Mount the camera on the vehicle to achieve the best possible view of the desired viewing area.
2. Secure the camera bracket to the vehicle using the provided adhesive tape and self-tapping screws with spring washers.
3. Attach the camera to the bracket and sun visor using machine screws. Adjust the angle of the camera and tighten the screws.

## CONNECTION



**Before connecting, disconnect the vehicle battery to avoid electrical shock.**



**Connect the male connector of the camera pigtail to the female connector of the extension cable. Align the arrows on both connectors and tighten.**

## Warranty Information

### MANUFACTURER LIMITED WARRANTY AND LIMITATION OF LIABILITY

Manufacturer warrants that on the Date of Purchase this Product will conform to Manufacturer's published specifications for the product, which are available from Manufacturer on request, and Manufacturer warrants that the product is free from defects in materials and workmanship. This Limited Warranty extends for twelve (12) months from the date of shipment. Manufacturer will, at its option, repair or replace any product found by Manufacturer to be defective and subject to this Limited Warranty. This Limited Warranty does not apply to parts or products that are misused; abused; modified; damaged by accident, fire or other hazard; improperly installed or operated; or not maintained in accordance with the maintenance procedures set forth in Manufacturer's Installation and Operating Instructions. To obtain warranty service, you must ship the product(s) to the specified Manufacturer location within thirty (30) days from expiration of the warranty period. To obtain warranty service you must call PRECO Electronics® Customer Service at 866-977-7236 or 208-323-1000, or fax your request to 208-323-1034. Customer Service will issue warranty authorization and further instructions. You must prepay shipping charges and use the original shipping container or equivalent.

**EXCLUSION OF OTHER WARRANTIES:** MANUFACTURER MAKES NO OTHER WARRANTIES, EXPRESSED, IMPLIED OR STATUTORY. THE IMPLIED WARRANTIES FOR MERCHANTABILITY OR FITNESS FOR A PARTICULAR PURPOSE ARE HEREBY EXCLUDED AND SHALL NOT APPLY TO THE PRODUCT. BUYER'S SOLE AND EXCLUSIVE REMEDY IN CONTRACT, TORT OR UNDER ANY OTHER THEORY AGAINST MANUFACTURER RESPECTING THE PRODUCT AND ITS USE SHALL BE THE REPLACEMENT OR REPAIR OF THE PRODUCT AS DESCRIBED ABOVE. **LIMITATION OF LIABILITY:** IN THE EVENT OF LIABILITY FOR DAMAGES ARISING OUT OF THIS LIMITED WARRANTY OR ANY OTHER CLAIM RELATED TO MANUFACTURER'S PRODUCTS, MANUFACTURER'S LIABILITY FOR DAMAGES SHALL BE LIMITED TO THE AMOUNT PAID FOR THE PRODUCT AT THE TIME OF ORIGINAL PURCHASE. IN NO EVENT SHALL MANUFACTURER BE LIABLE FOR LOST PROFITS, THE COST OF SUBSTITUTE EQUIPMENT OR LABOR, PROPERTY DAMAGE, OR OTHER SPECIAL, CONSEQUENTIAL OR INCIDENTAL DAMAGES BASED UPON ANY CLAIM FOR BREACH OF CONTRACT, NEGLIGENCE OR OTHER CLAIM, EVEN IF MANUFACTURER OR A MANUFACTURER'S REPRESENTATIVE HAS BEEN ADVISED OF THE POSSIBILITY OF SUCH DAMAGES.

Manufacturer shall have no further obligation or liability with respect to the product or its sale, operation and use, and Manufacturer neither assumes nor authorizes the assumption of any other obligation or liability in connection with such product. This Limited Warranty gives you specific legal rights, and you may also have other legal rights which vary from state to state. Some states do not allow the exclusion or limitation of incidental or consequential damages, so the above exclusion or limitation may not apply to you. Any oral statements or representations about the product which may have been made by salesmen or Manufacturer representatives do not constitute warranties. This Limited Warranty may not be amended, modified or enlarged, except by a written agreement signed by an authorized official of Manufacturer which expressly refers to this Limited Warranty.



[www.radar-electronics.com](http://www.radar-electronics.com)  
e-mail.:[info@radar-electronics.com](mailto:info@radar-electronics.com)  
tel.. 00386 3 4900 800

