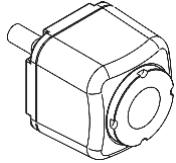


## INSTRUCTION MANUAL

Thank you for purchasing this product.  
For proper use and application,  
please read this instruction manual thoroughly

# PVC720/PVC750/PVC780



PreView Vehicle Camera

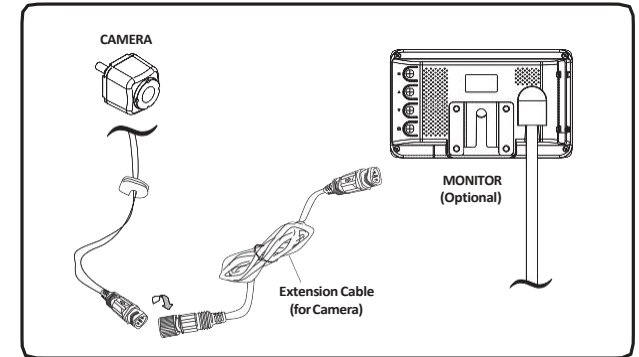
# PRECO<sup>®</sup>

ELECTRONICS

## FEATURES

- 1/3" (520,000Pixel) 960H color CMOS
- Wide viewing angle
- 700 TV lines of resolution
- Compact size
- Metal case
- Waterproof (IP67)

## CONNECTION



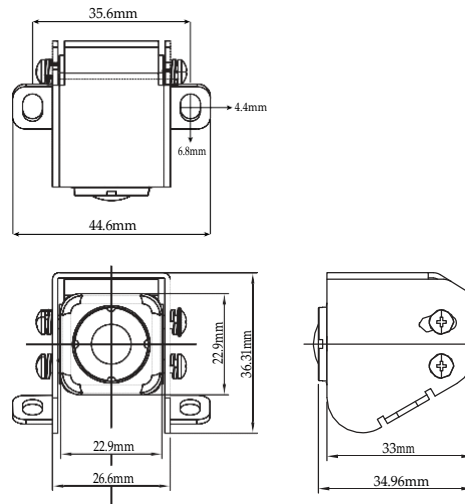
- ⚠ Before making the connection, disconnect the ground terminal of the vehicle battery to avoid short circuiting.
- ⚠ Check for proper pin alignment prior to connecting the camera plug into the adapter cable. Verify that the connection is snug. A loose connection may result in a malfunction or problem with the unit.
- ⚠ If the extension cable is used, verify that the arrows are aligned before plugging the ends of the cables together.
- ⚠ After completing the cable connection, test to verify proper operation.

## SPECIFICATIONS

	PVC720	PVC750	PVC780
Pick-up Device	1/3" (520,000Pixel) 960H color CMOS		
View of angle	120(H) / 89(V) / 160(D)	150(H) / 92(V) / 177.5(D)	180(H) / 125(V) / 210(D)
Total Pixels	976(H) x 496(V)		
Min. Illumination	0.5Lux (F=2.4)		
Resolution	700 TV Lines		
Input Voltage	DC12V / 80mA		
Operating Temp.	-20 °C ~ 70 °C		
Storage Temp.	-30 °C ~ 80 °C		
Weight	38g (without bracket), 65.8g (with bracket)		
E Mark	E11 10R-059464		
Box Contents	Camera .....	1EA	
	Bracket Set.....	1SET	
	Mounting Hardware (Screws set) .....	1SET	
	Instruction Manual .....	1EA	

\* Design and specifications are subject to change without notice.

## DIMENSIONS



## INFORMATION

[www.radar-electronics.com](http://www.radar-electronics.com)  
e-mail.: [info@radar-electronics.com](mailto:info@radar-electronics.com)  
tel.. 00386 3 4900 800



## Warranty Information

### MANUFACTURER LIMITED WARRANTY AND LIMITATION OF LIABILITY

Manufacturer warrants that on the Date of Purchase this Product will conform to Manufacturer's published specifications for the product, which are available from Manufacturer on request, and Manufacturer warrants that the product is free from defects in materials and workmanship. This Limited Warranty extends for twelve (12) months from the date of shipment. Manufacturer will, at its option, repair or replace any product found by Manufacturer to be defective and subject to this Limited Warranty.

This Limited Warranty does not apply to parts or products that are misused; abused; modified; damaged by accident, fire or other hazard; improperly installed or operated; or not maintained in accordance with the maintenance procedures set forth in Manufacturer's Installation and Operating Instructions.

To obtain warranty service, you must ship the product(s) to the specified Manufacturer location within thirty (30) days from expiration of the warranty period. To obtain warranty service you must call PRECO Electronics® Customer Service at 866-977-7236 or 208-323-1000, or fax your request to 208-323-1034. Customer Service will issue warranty authorization and further instructions. You must prepay shipping charges and use the original shipping container or equivalent.

EXCLUSION OF OTHER WARRANTIES: MANUFACTURER MAKES NO OTHER WARRANTIES, EXPRESSED, IMPLIED OR STATUTORY. THE IMPLIED WARRANTIES FOR MERCHANTABILITY OR FITNESS FOR A PARTICULAR PURPOSE ARE HEREBY EXCLUDED AND SHALL NOT APPLY TO THE PRODUCT. BUYER'S SOLE AND EXCLUSIVE REMEDY IN CONTRACT, TORT OR UNDER ANY OTHER THEORY AGAINST MANUFACTURER RESPECTING THE PRODUCT AND ITS USE SHALL BE THE REPLACEMENT OR REPAIR OF THE PRODUCT AS DESCRIBED ABOVE. LIMITATION OF LIABILITY: IN THE EVENT OF LIABILITY FOR DAMAGES ARISING OUT OF THIS LIMITED WARRANTY OR ANY OTHER CLAIM RELATED TO MANUFACTURER'S PRODUCTS, MANUFACTURER'S LIABILITY FOR DAMAGES SHALL BE LIMITED TO THE AMOUNT PAID FOR THE PRODUCT AT THE TIME OF ORIGINAL PURCHASE. IN NO EVENT SHALL MANUFACTURER BE LIABLE FOR LOST PROFITS, THE

COST OF SUBSTITUTE EQUIPMENT OR LABOR, PROPERTY DAMAGE, OR OTHER SPECIAL, CONSEQUENTIAL OR INCIDENTAL DAMAGES BASED UPON ANY CLAIM FOR BREACH OF CONTRACT, NEGLIGENCE OR OTHER CLAIM, EVEN IF MANUFACTURER OR A MANUFACTURER'S REPRESENTATIVE HAS BEEN ADVISED OF THE POSSIBILITY OF SUCH DAMAGES.

Manufacturer shall have no further obligation or liability with respect to the product or its sale, operation and use, and Manufacturer neither assumes nor authorizes the assumption of any other obligation or liability in connection with such product.

This Limited Warranty gives you specific legal rights, and you may also have other legal rights which vary from state to state. Some states do not allow the exclusion or limitation of incidental or consequential damages, so the above exclusion or limitation may not apply to you.

Any oral statements or representations about the product which may have been made by salesmen or Manufacturer representatives do not constitute warranties. This Limited Warranty may not be amended, modified or enlarged, except by a written agreement signed by an authorized official of Manufacturer which expressly refers to this Limited Warranty.



[www.radar-electronics.com](http://www.radar-electronics.com)  
[e-mail.:info@radar-electronics.com](mailto:info@radar-electronics.com)  
tel.. 00386 3 4900 800

